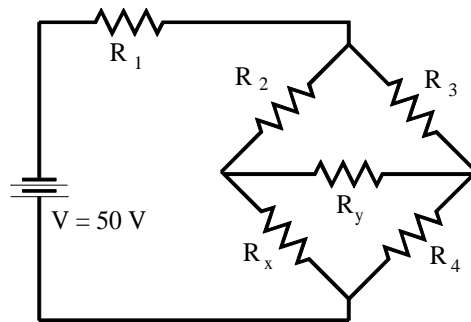


## ELECTRICITY AND MAGNETISM

### Question 4-30

Given the circuit shown below:



Where:

$$R_1 = 300 \text{ ohms} \quad R_2 = 500 \text{ ohms} \quad R_3 = 900 \text{ ohms} \quad R_4 = 800 \text{ ohms}$$

The value of the resistor  $R_x$ , in the circuit given above, with no current through  $R_y$ , is most nearly:

- (A) 50 ohms
- (B) 450 ohms
- (C) 550 ohms
- (D) 1,450 ohms

### Question 4-31

If a ferromagnetic material is subject to cyclic magnetization a plot of the variation of the magnetic flux density versus the magnetic field intensity is called:

- (A) the Steinmetz plot
- (B) a magnetization curve
- (C) the leakage flux
- (D) a hysteresis loop

**QUESTIONS CONTINUED ON THE NEXT PAGE**